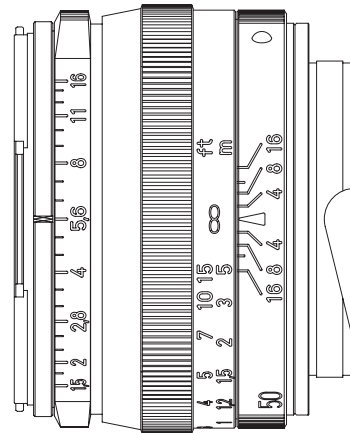


# C Sonnar T\* 1.5/50 ZM

The powerful photojournalist – fast, compact, accurate

The C Sonnar T\*1.5/50 ZM lens is the modern technological reincarnation of the classical Sonnar 1.5/50, the fastest standard lens of its time, for the Contax II range-finder camera.

It is fast, very resistant to flaring and unusually compact. With its well controlled distortion, the lens produces a very accurate representation of objects. It can take the same filters which fit the ZM wide angle lenses with 28, 25 and 21mm focal lengths. This is a very versatile lens for photojournalistic work in general and for available light photography in particular.



## Technical Specifications

**Focal length:** 50 mm

**Aperture range:** f/1.5 – f/16 (1/3 f-stop)

**No. of elements/groups:** 6/4

**Focusing range:** 0.9 m – infinity

**Image ratio at close range:** 1:15

**Coverage at close range:** 37 x 55 cm

**Angular field, diag./horiz.:** 45.7°/38.4°

**Filter:** M 46 x 0.75

**Weight:** 250 g

**Dimensions:** ø 56 mm, length 45 mm

**Cat. No. silver:** 1407-067

**Cat. No. black:** 1407-218

Subject to change.

### Carl Zeiss AG

Camera Lens Division  
73446 Oberkochen  
Germany

Tel: +49 73 64 20-61 75  
Fax: +49 73 64 20-40 45  
E-Mail: [photo@zeiss.de](mailto:photo@zeiss.de)  
[www.zeiss.com/photo](http://www.zeiss.com/photo)



We make it visible.

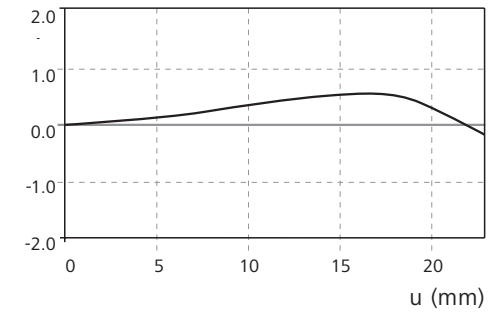
# C Sonnar T\* 1.5/50 ZM

## Performance data

Modulation transfer T as a function of image height and slit orientation: sag ——— tan - - - -

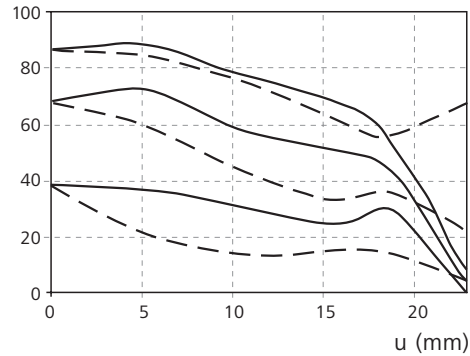
White light. Spatial frequencies R = 10, 20 and 40 cycles/mm.

Distortion in % of image height



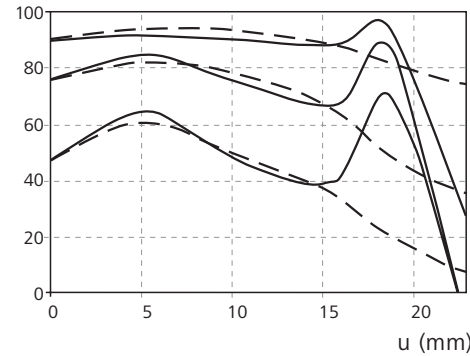
f-number: k = 1.5

T (%)



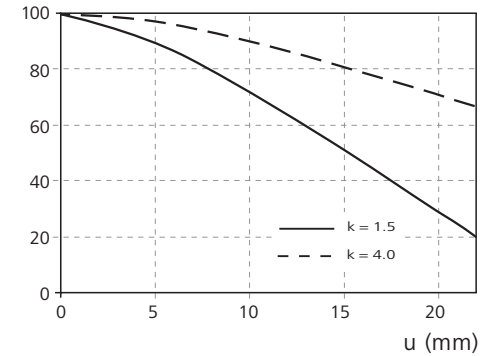
f-number: k = 4.0

T (%)



Relative illuminance

E (%)



Subject to change.

**Carl Zeiss AG**

Camera Lens Division  
73446 Oberkochen  
Germany

Tel: +49 73 64 20-61 75  
Fax: +49 73 64 20-40 45  
E-Mail: [photo@zeiss.de](mailto:photo@zeiss.de)  
[www.zeiss.com/photo](http://www.zeiss.com/photo)



We make it visible.